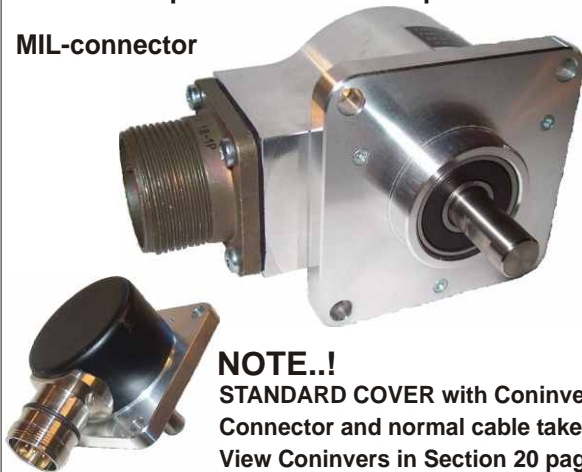


Axial up to 50 N Radial up to 100 N

MIL-connector



NOTE..!
STANDARD COVER with Coninvers
Connector and normal cable take out.
View Coninvers in Section 20 page 6.

CHARACTERISTICS

ENCODER TYPE	Shaft encoder
SMD - TECHNOLOGY	Strong compact electronics
HIGH IP-RATING	Std. IP 65
LOW CURRENT CONSUMPTION	To be connected directly to PLC'S and counters
SHORT CIRCUIT PROTECTION	Thermal shut down at 155°C
WIDE SUPPLY RANGE	Min 4,5V to Max. 30V
STRONG MECH. CONSTRUCTION	Based on 2 strong precision ball bearings, for harsh industrial environments

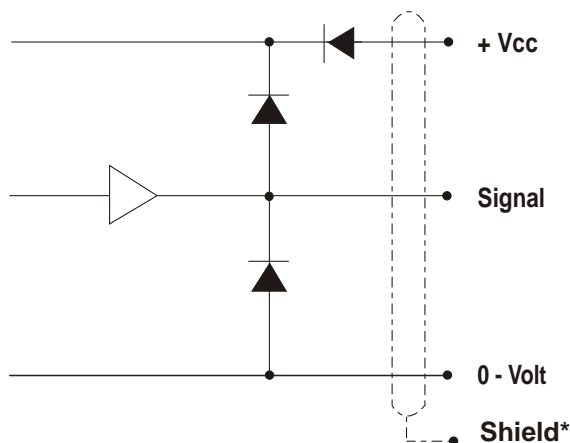
ELECTRICAL SPECIFICATIONS

At +25°C	
Output waveform	Incremental (A, B)
Zero or index pulse	(Z) one pr.rev.
Output	Totempole (OC on request)
Supply-voltage	Min 4,5V to Max. 30V Reverse polarity protection
Current (no load)	Max. 45 mA
Max. load pr. output	30 mA - (Short circuit protected)
V out low	Max. 500 mV at I out low =10 mA
Operating temp.	- 40°C to + 85°C
Storage temp.	- 40°C to + 85°C
Max. pulse frequency	300 kHz
Phase difference	180° ± 36°
Duty cycle	90° ± 18°
Cable data	8 leads (0,14 mm ²)pairtwisted/shielded
Output signals	Normal (Standard), Inverted, Differential (RS-422A compatible @ 5V)
Certified acc. to	EN 50081-1 and EN 50082-2

MECHANICAL SPECIFICATIONS

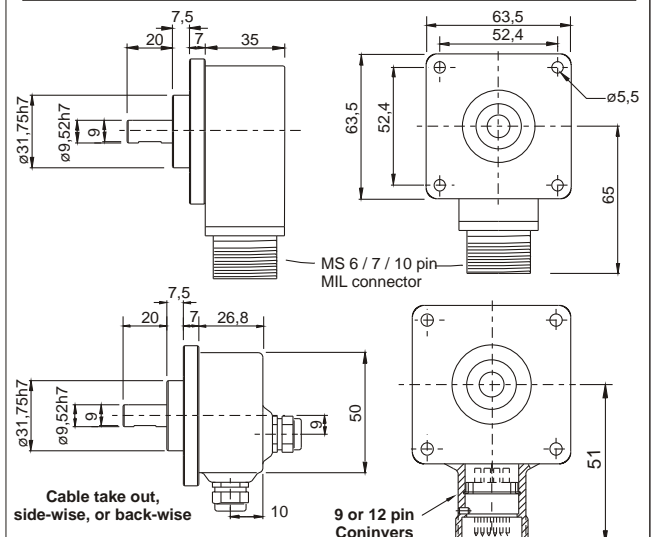
Weight	About 350 g (+ cable 60 g/meter)
Materials : Housing	Aluminum
Shaft	Stainless steel
Bearings	Lifetime lubricated ball bearings
Shaft dimensions	9,52mm, 10 mm
Shaft loads	Axial max. 50 N Radial max. 100 N
Max. rev.	6.000 rev./min.
IP-rating	Standard IP 65
Start torque	< 0,01 Nm at 25°C
Mass moment of inertia	4 gcm ²
Max. shock	100 G/11 ms
Bump	10 G - 16 ms (1000 x 3axis)
Vibration	(10 - 2000 Hz)/10 G

OUTPUT CIRCUIT



*Shield connected to housing

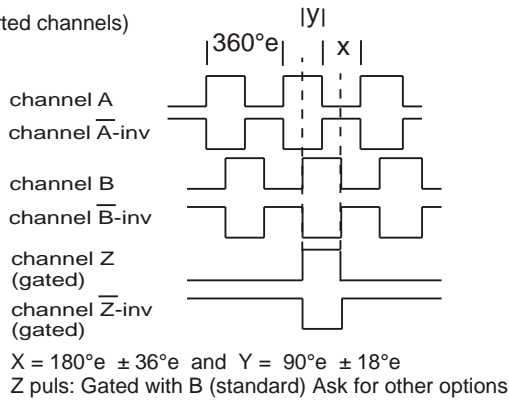
MECHANICAL DIMENSIONS



OUTPUT WAVEFORM

Rotation: Clockwise (cw) from shaftside

(inv = inverted channels)



Options: TTL or HTL compatible. Open Collector NPN or PNP
Gated Z-puls or none-gated Z-puls.
View more Output options in section 15 - page 1

PULSES/REV.

1	30	100	500	2000
2	32	125	600	2048
5	36	150	635	2500
6	40	180	720	3000
8	50	200	800	3600
10	60	250	1000	4000
15	64	300	1024	4096
16	75	360	1131	5000
20	80	400	1250	9000
25	90	455	1500	12500

ORDERING CODES

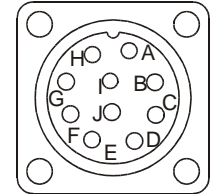
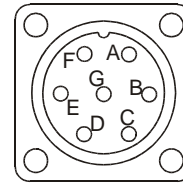
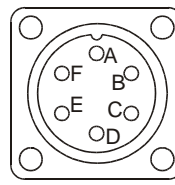
	Options	Ordering codes
Pulses pr. rev.:	No. of pulses	XXXXXX
Output signal:	Standard (normal)	N
	Inverted	I
	Differential	D
	Line driver OL 7272 for extra long cable, up to 100 meters (Differential)	M
	Line driver chip 26C31 (V out low < 0,4 V)	L
Shaft dimensions:	1/4" (ø6,35) x 20 mm	1/4x20
	3/8" (ø9,525) x 20 mm	3/8x20
	ø8 x 20 mm	08x20
	ø10 x 20 mm	10x20
IP-rating:	IP 65	65
	IP67	67
Length of cable:	Standard 1 meter	01
	No. of meters	XX
Cable take out:	Back	B
	Side	S
MIL-Connector	6 Pin	06
ONLY side-wise	7 Pin	07
	10 Pin	10
Coninvers Connector	9 Pin	09
ONLY side-wise	12 Pin	12

CONNECTIONS MIL-connector

6 pin mil

7 pin mil

10 pin mil



	6 pin mil	7 pin mil	10 pin mil
+Vcc	B	D	D
-Gnd	A	F	F
A	E	A	A
B	D	B	B
Z	C	C	C
A inv.	-	-	H
B inv.	-	-	I
Z inv.	-	-	J

CONNECTIONS for Cable (colours)

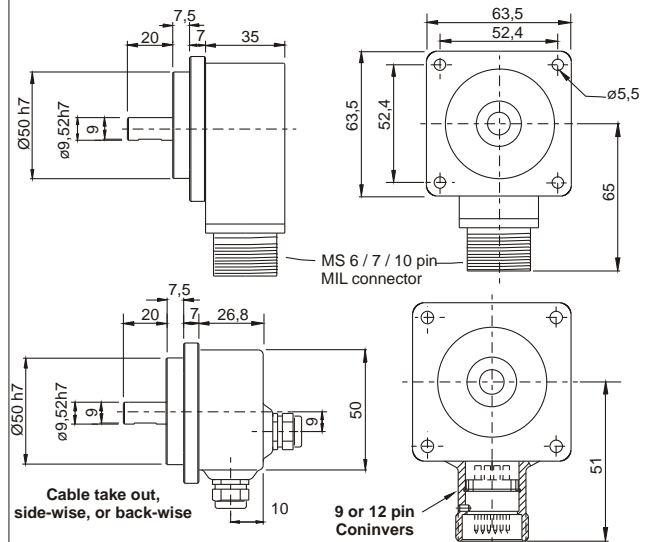
Color code	Standard	Color code	Differential
Pink	Ch. A	Pink	Ch. A
Grey*	Ch. A Gnd	Grey	Ch. A inv.
Green	Ch. B	Green	Ch. B
Yellow*	Ch. B Gnd	Yellow	Ch. B inv.
White	Ch. Z	White	Ch. Z
Brown*	Ch. Z Gnd	Brown	Ch. Z inv.
Red	Vcc	Red	Vcc
Blue*	Gnd	Blue	Gnd

*Blue, grey, yellow and brown are internal connected

CONNECTIONS CONINVERS connector

View Section 20 - Page 6

OPTION: 2Q-ELT FACE



2Q
or
2Q-ELT

