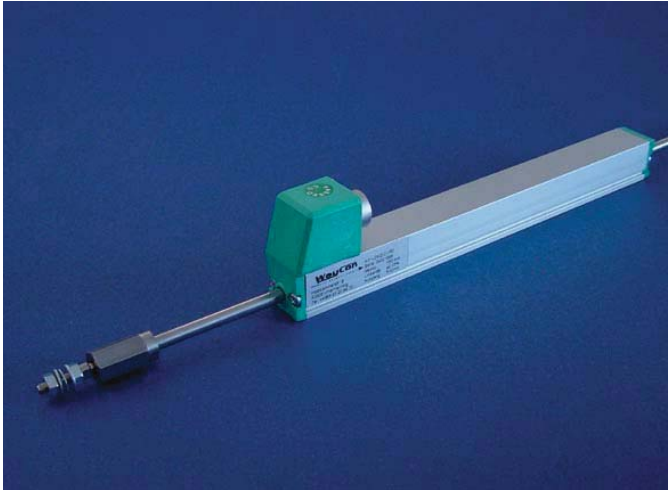


LINEARPOTI

Linearpotentiometer, Rectangular Housing



Series LRW1

- **Rectangular Displacement Transducer, Thread: M4**
- **Range 25 - 150 mm**
- **Protection IP 40**
- **Displacement speed <10 m/s**
- **Linearity up to $\pm 0,05\%$**
- **Infinite resolution**
- **Working temperature -30...+100°C**
- **Lifetime >100x10⁶ cycles**
- **Electrical Connection**
3-core shielded cable
5-pin circular connector

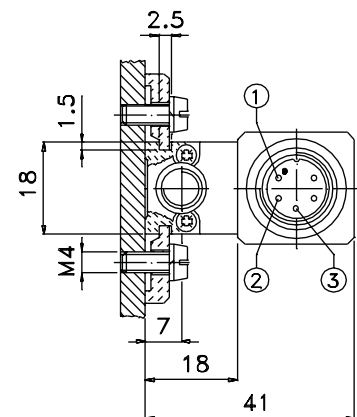
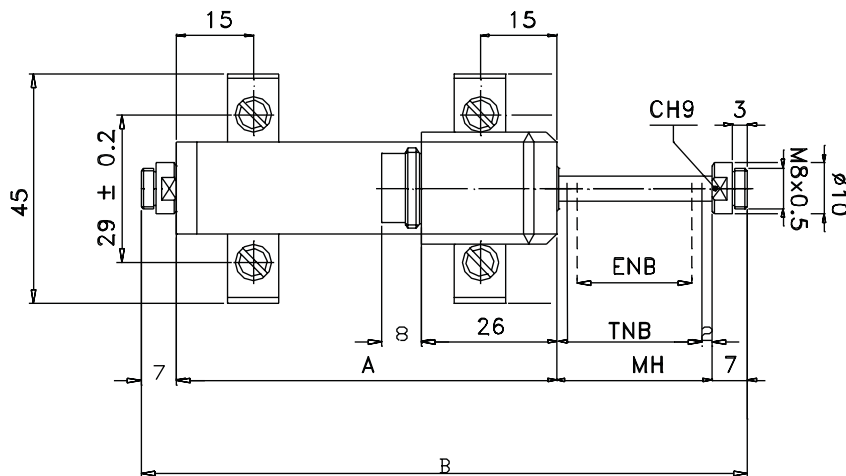
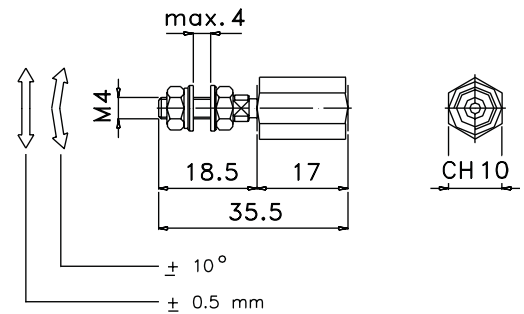
Technical Data

Range	25/50/75/100/150 mm	Max. supply voltage	see table
Protection	IP 40	Temp. Coeff. of the resistance	-200 ±200 ppm/°C
Displacement speed	<10 m/s	Eff. Temp. Coeff. Of output voltage	<1,5 ppm/°C
Displacement force	<0,3 N	Electrical isolation	>100 MOhm at 500 V
Linearity	see table	Dielectric strength	>500 Veff at 50 Hz
Resolution	infinite	Working temperature	-30...+100°C
Tolerance on resistance	±20%	Storage temperature	-50...+120°C
Recommended cursor current	<1 µA	Rod material	Stainless steel AISI 431
Max. cursor current	<10 mA	Case material	Anodised aluminium Nylon 66 GF 40
Max. Dissipation at 40°C	see table	Fixing	adjustable brackets

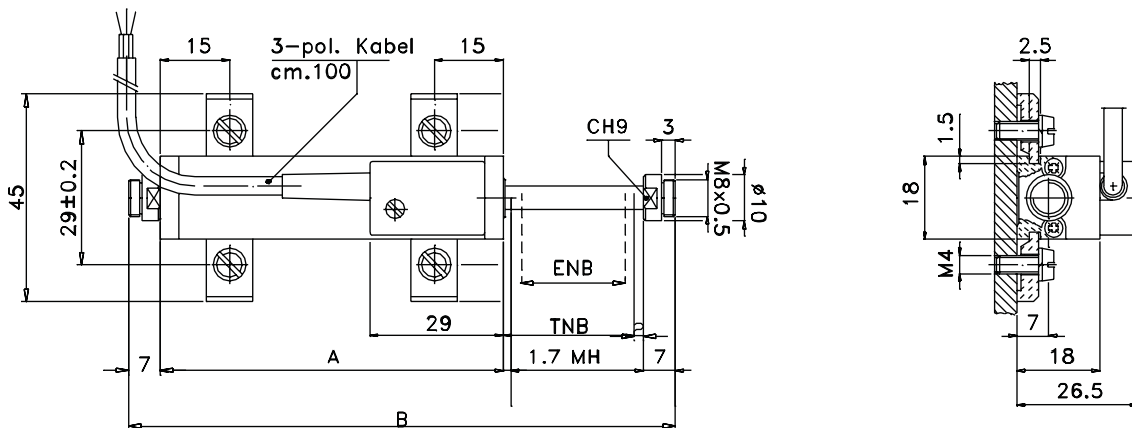
Dimensions and Electrical Data

range		25	50	75	100	150
electrical stroke (ENB) +1/-0	mm	25	50	75	100	150
theoretical electrical stroke (TNB) ±1	mm	ENB +1				
resistance	kOhm	1	5	5	5	5
linearity (in ENB)	±%	0,2	0,1	0,1	0,1	0,05
dissipation at 40°C (0 W at 120°C)	W	0,6	1,2	1,8	2,5	3,6
max. supply voltage	V	25	60			
mecanical stroke (MH)	mm	ENB + 5				
case length (A)	mm	ENB + 38				
total length (B)	mm	107	157	207	257	357

Bearing coupling PKIT020

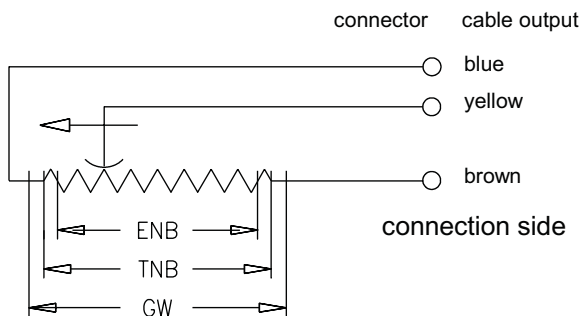


Dimensions

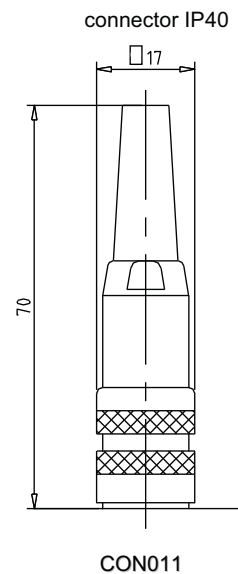


Connection and Accessories

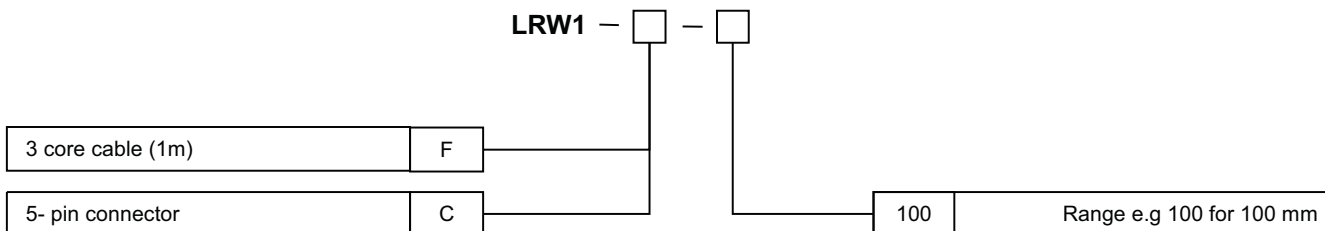
Electrical connection



Accessories



Order Code



LRW1-F cable output

25 mm	LRW1-F- 25-S
50 mm	LRW1-F- 50-S
75 mm	LRW1-F- 75-S
100 mm	LRW1-F-100-S
150 mm	LRW1-F-150-S

LRW1-C 5-pin connector

25 mm	LRW1-C- 25
50 mm	LRW1-C- 50
75 mm	LRW1-C- 75
100 mm	LRW1-C-100
150 mm	LRW1-C-150

Options and Accessories

3 core cable, PVC per additional meter	to be specified
5-pin connector IP 40	CON011
Mount Accessories 4 Brackets, M4X10, screws, fixing rings	PKIT005
Bearing coupling	PKIT020