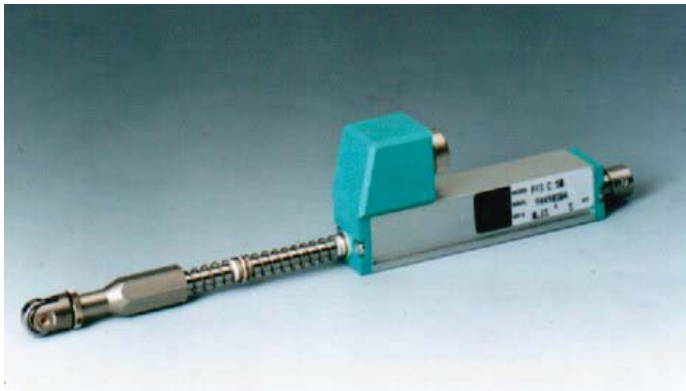


LINEARPOTI

Linearpotentiometer, Rectangular Housing



Series

LRW2

LRW3

- **Double support of the control rod and return spring**

LRW2 with Ball Tip 10/25/50 mm Stroke

LRW3 with Bearing Tip 25/50 mm Stroke

- **Range 10 - 50 mm**
- **Protection IP 40**
- **Displacement speed <10 m/s**
- **Linearity up to $\pm 0,1\%$**
- **Infinite resolution**
- **Working temperature -30...+100°C**
- **Lifetime 100×10^6 cycles**
- **Electrical Connection**
3-core shielded cable
5-pin circular connector

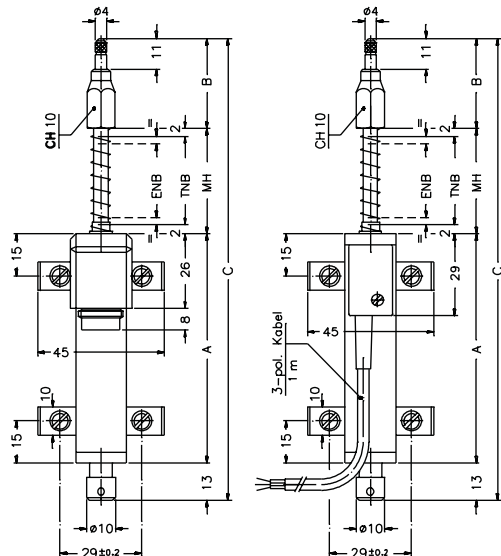
Technical Data

Range	LRW2 10/25/50 mm	Max. supply voltage	see table
	LRW3 25/50 mm	Temp. Coeff. of the resistance	-200 ±200 ppm/°C
Protection	IP 40	Eff. Temp. Coeff. Of output voltage	<1,5 ppm/°C
Displacement speed	<10 m/s	Electrical isolation	>100 MOhm at 500 V
Displacement force	<4 N	Dielectric strength	>500 Vpp at 50 Hz
Linearity	see table	Working temperature	-30...+100°C
Resolution	infinite	Storage temperature	-50...+120°C
Tolerance on resistance	±20%	Rod material	Stainless steel AISI 431
Recommended curser current	<1 µA	Case material	Anodised aluminium Nylon 66 GF 40
Max. curser current	<10 mA	Fixing	adjustable brackets
Max. Dissipation at 40°C	see table		

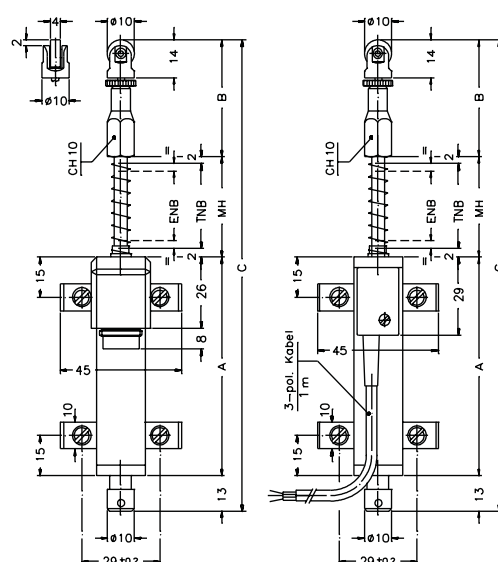
Dimensions and electrical data

Range		10	25	50
Electrical stroke (ENB)	mm	10	25	50
+1/-0 Theoretical electrical stroke	mm	ENB + 1		
(TNB) ±1 Resistance	kOhm	1	1	5
Linearity (in ENB)	±%	0,3	0,2	0,1
Dissipation at 40°C (0 W at 120°C)	W	0,2	0,6	1,2
Max. supply voltage	V	14	25	60
Mechanical stroke (MH)	mm	ENB + 5		
Case length (A)	mm	ENB + 38		
Tip lenght (B) LRW2	mm	32	32	40
Tip lenght (B) LRW3	mm		43	51
Total lenght (C) LRW2	mm	108	138	196
Total lenght (C) LRW3	mm		149	207

LRW2 with ball tip

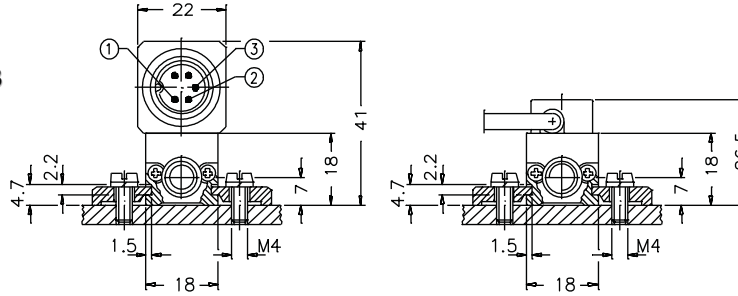


LRW3 with bearing tip



Dimensions and electrical data

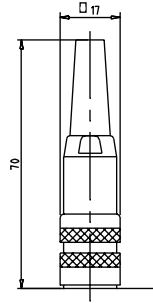
LRW2 and LRW3



Connection and Accessories

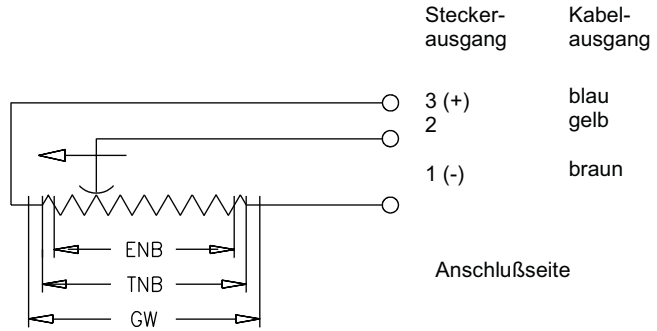
Accessories

Gegenstecker IP40



CON011

Electrical connection



Order Code

